



Printing

Print Technology

Print Area

Print Volume

Ambient Operating Temperature

Operating Footprint

Maximum Travel Speed

Leveling

Connectivity

Extruder/Hot End

Nozzle Diameter

Nozzle Material

Nozzle Temperature

Nozzle Heatup Time

Print Surface

Maximum Build Plate Temperature

Build Plate Heat Up Time

Layer Resolution

Minimum Positive Feature Size

Specifications

Fused Filament Fabrication

160mm x 160mm x 180mm (6.30in x 6.30in x 7.09in)

4608cm³ (281.2in³)

From 5°C to 45°C (41°F to 113°F)

457mm x 406mm (18in x 16in)

300mm/s

Automatic Compensation

USB Serial and Included 8gb SD Card

E3D Titan Aero

0.5mm

Nickel-Plated Copper Alloy

Up to 290°C (554°F)

From 23°C to 210°C (73°F to 410°F) in 73 seconds

Heated Borosilicate Glass/PEI

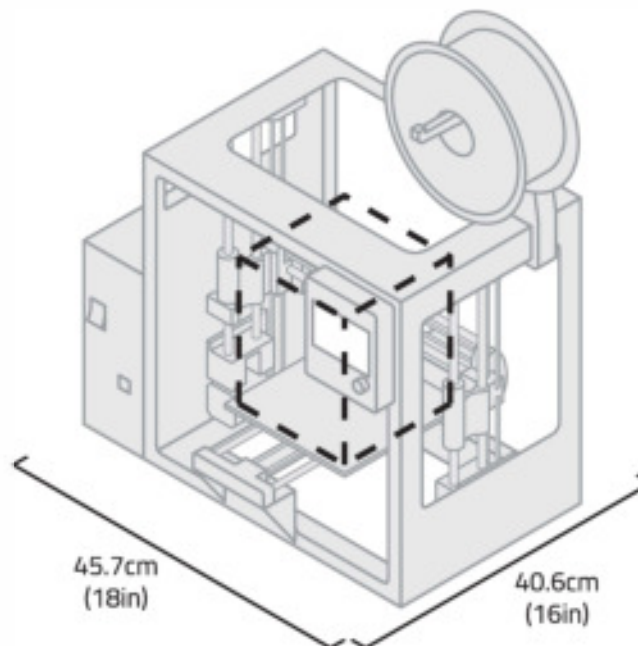
Up to 120°C (248°F)

From 23°C to 60°C (73°F to 140°F) in 97 seconds

0.05mm-0.4mm (0.002in-0.016in)

0.5mm (0.02in)

Operating Footprint
for full range of Y-axis motion.
305mm (12in) clearance on all
sides recommended.



Print Area
160mm x 160mm x 180mm
(6.30in x 6.30in x 7.09in)

Print Volume
4608cm³ (281.4in³)

Materials

Filament Diameter

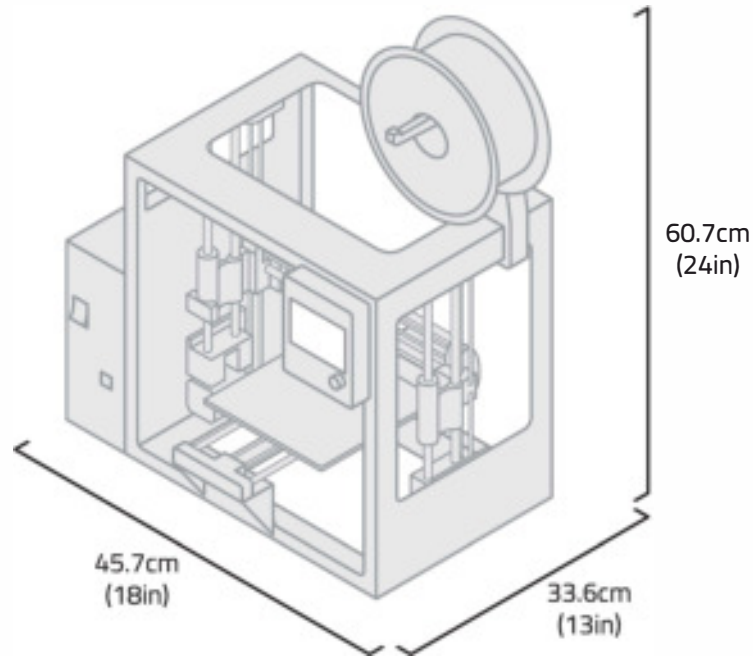
Supported Materials

2.85mm

Open filament system compatible with PLA, Natural and Metal PLA Blends, TPU, ABS, PETG, nGen, INOVA-1800, HIPS, HT, t-glase, Alloy 910, Polyamide, Nylon 645, Polycarbonate, PC-Max, PC+PBT, PC-ABS Alloy, PCTPE, and more.

Physical Dimensions

Boxed Unit Weight	12kg (26.5lbs)
Unit Weight	9kg (19.8lbs) without filament spool
Boxed Dimensions	58.4cm x 45.7cm x 53.3cm (23in x 18in x 21in)
Dimensions with 1kg Filament Spool	45.7cm x 33.6cm x 61.0cm (18in x 13in x 24in)
Dimensions with 3kg Filament Spool	48.3cm x 33.6cm x 63.5cm (19in x 13in x 25in)



Physical Dimensions

1kg spool

Software

Operating System Compatibility	GNU/Linux, Mac, Windows
Recommended Software	Cura LulzBot Edition Version 3.2 or newer
Firmware	Marlin
Supported File Types	.stl, .obj, .x3d, .3mf, .png, .jpg

Electrical

Power Requirements	100VAC-240VAC, 50Hz-60Hz, 3.2A max
Output	24VDC
Power Supply	Delta PMC-24V150W1AA

Safety and Compliance

Certifications	UL, CSA, ETL, FCC, CE, WEEE, FSF-RYF, OSHWA
Warranty	Includes one-year warranty and access to technical support seven days a week. Optional one, two, or three-year extended warranties available.
Country of Origin	Made in USA from domestic and imported components.